



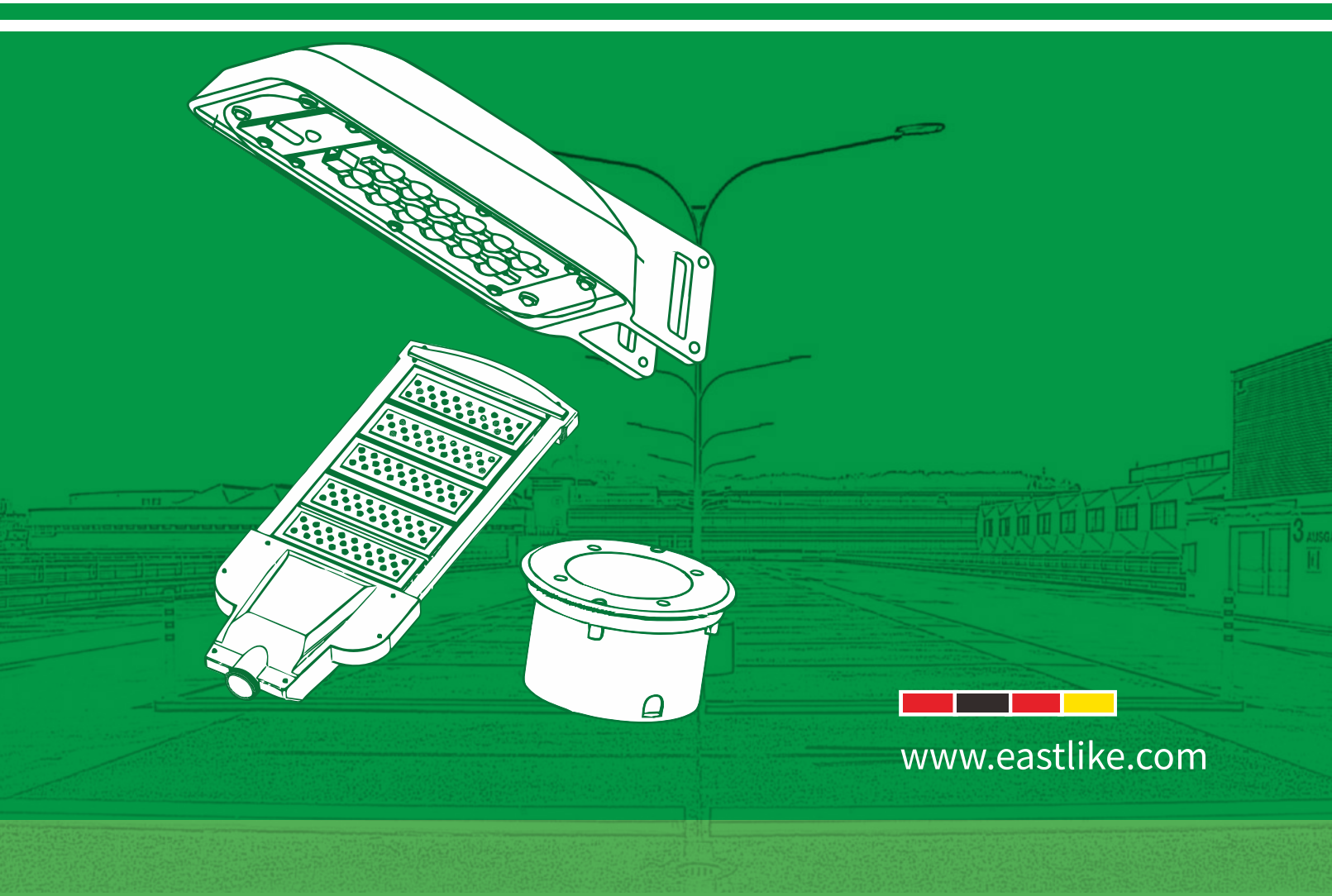
EASTLIKE LED Co., Ltd

CATALOG

LED Lighting Series

Green Low Carbon Energy Saving

8. Street Light & Ground



www.eastlike.com



公司簡介 Company Profile



製造和營銷綠色低碳節能照明產品
Manufacturing And Marketing Green Low Carbon
And Energy Saving Lighting Products



EASTLIKE LED COMPANY 東 欏 照 明 公 司

EASTLIKE LED Co., Ltd • emerges as a lighting designer manufacturer and supplier established in Hong Kong and Mainland China .

The company devotes herself in the development, manufacturing and marketing of green, low-carbon and energy-saving lighting products. we are proud to provide a wide range of LED products

東欏LED照明公司•您的照明設計師。

我們作為製造商和供應服務於香港和中國大陸。公司致力於開發，製造和行銷綠色，低碳和節能照明產品。

我們竭誠為您服務，為您提供種類繁多的LED產品。

目录

Content

1. Street Light



P.01
LED戶外寶劍款路燈頭



P.02
LED戶外寶劍款路燈頭



P.03
LED戶外寶劍款路燈頭



P.04
LED戶外金豆款路燈



2. Ground & Garden



P.05
橢圓款明裝防水燈



P.06
圓款明裝防水燈



P.07
LED戶外嵌入式地埋燈



P.08
LED戶外嵌入式地埋燈



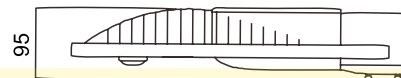
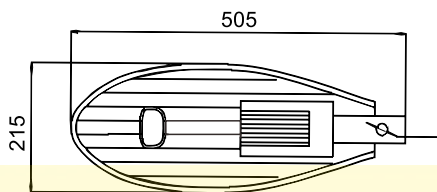
P.09
LED戶外嵌入式地埋燈



P.10
LED戶外嵌入式地埋燈

LED Outdoor Sword Road Lamp

Series Type: ESLOS05



Unit: mm

Features 產品特點

- ★ Material: transparent tempered glass
 - ★ The famous Bridgelux cob LED (110lm / W) is adopted
 - ★ Instant start to save a lot of energy
 - ★ High luminous efficiency, perfect alternative to traditional street lamps
 - ★ Beautiful appearance, power saving and durable
 - ★ Certificate: CE RoHS
- ★ 材質: 透明鋼化玻璃
 - ★ 採用著名的Bridgelux COB LED (110lm/w)
 - ★ 即時啟動, 節省大量能源
 - ★ 高光效, 完美替代傳統路燈
 - ★ 外形美觀, 省電又耐用
 - ★ 證書: CE ROHS

Specification 產品規格

Model 型號	Voltage 電壓	Wattage 功率	Size 尺寸	Lamp Life 光度壽命	Colour Temp 色溫	Lumen Output 輸出流明	Color Rendering 顯色度	Beam Angle 光速角度	Operating Temperature 工作溫度
	(V)	(W)	(mm)	(Hrs)	(K)	(Lm/W)	(CRI)	(°)	(°C)
ESL-A-H	85-265	50	505*215*95	50,000	6000	5500	70	120	-25~45

Light efficiency (lm/W), Power (W), Color Rendering Index (CRI), Can be customized according to customer needs.

Our Standard Power factor (PF) > 0.9 and Total harmonic index THD < 15%, According to customer requirements can produce a lower THD < 10%.

This type of certification is issued by a government-approved laboratory for Safety certification, Fire testing, Restriction of Hazardous Substances (RoHS), Photobiological safety of lamps and lamp systems. (an Exemption Group) and other test certifications to ensure product quality

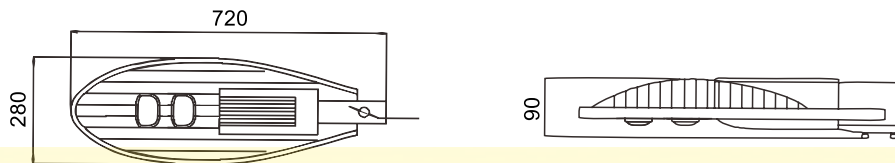
光效 (lm/W)、功率 (W)、顯色指數 (CRI), 可根據客戶需求定制。

此型號標準之功率因素 (PF) > 0.9, 總諧波指數 THD < 15%, 可按客戶需要生產低總諧波指數 < 10%。

此型號認證由可實驗室發出之安全認證消防測試, 環保物料 (RoHS), 光生物安全為 Exemption Group 及其它測試, 保證客戶使用更安心滿意。

LED Outdoor Sword Road Lamp

Series Type: ESLOS07



Unit : mm

Features 產品特點

- ★ Material: transparent tempered glass
- ★ The famous Bridgelux cob LED (110lm / W) is adopted
- ★ Instant start to save a lot of energy
- ★ High luminous efficiency, perfect alternative to traditional street lamps
- ★ Beautiful appearance, power saving and durable
- ★ Certificate: CE RoHS
- ★ 材質: 透明鋼化玻璃
- ★ 採用著名的Bridgelux COB LED (110lm/w)
- ★ 即時啟動, 節省大量能源
- ★ 高光效, 完美替代傳統路燈
- ★ 外形美觀, 省電又耐用
- ★ 證書: CE ROHS

Specification 產品規格

Model 型號	Voltage 電壓	Wattage 功率	Size 尺寸	Lamp Life 光度壽命	Colour Temp 色溫	Lumen Output 輸出流明	Color Rendering 顯色度	Beam Angle 光速角度	Operating Temperature 工作溫度
	(V)	(W)	(mm)	(Hrs)	(K)	(Lm/W)	(CRI)	(°)	(°C)
ESL-A70-H	85-265	100	720*280*90	50,000	6000	11000	70	120	-20~45

Light efficiency (lm/W), Power (W), Color Rendering Index (CRI), Can be customized according to customer needs.

Our Standard Power factor (PF) > 0.9 and Total harmonic index THD < 15%, According to customer requirements can produce a lower THD < 10%.

This type of certification is issued by a government-approved laboratory for Safety certification, Fire testing, Restriction of Hazardous Substances (RoHS), Photobiological safety of lamps and lamp systems. (an Exemption Group) and other test certifications to ensure product quality

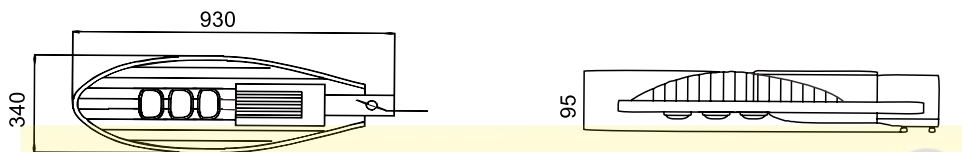
光效 (lm/W)、功率 (W)、顯色指數 (CRI), 可根據客戶需求定制。

此型號標準之功率因素 (PF) > 0.9, 總諧波指數 THD < 15%, 可按客戶需要生產低總諧波指數 < 10%。

此型號認證由可實驗室發出之安全認證消防測試, 環保物料 (RoHS), 光生物安全為 Exemption Group 及其它測試, 保證客戶使用更安心滿意。

LED Outdoor Sword Road Lamp

Series Type: ESLOS09



Unit: mm

Features 產品特點

- ★ Material: transparent tempered glass
- ★ The famous Bridgelux cob LED (110lm / W) is adopted
- ★ Instant start to save a lot of energy
- ★ High luminous efficiency, perfect alternative to traditional street lamps
- ★ Beautiful appearance, power saving and durable
- ★ Certificate: CE RoHS
- ★ 材質: 透明鋼化玻璃
- ★ 採用著名的Bridgelux COB LED (110lm/w)
- ★ 即時啟動, 節省大量能源
- ★ 高光效, 完美替代傳統路燈
- ★ 外形美觀, 省電又耐用
- ★ 證書: CE ROHS

Specification 產品規格

Model 型號	Voltage 電壓	Wattage 功率	Size 尺寸	Lamp Life 光度壽命	Colour Temp 色溫	Lumen Output 輸出流明	Color Rendering 顯色度	Beam Angle 光速角度	Operating Temperature 工作溫度
	(V)	(W)	(mm)	(Hrs)	(K)	(Lm/W)	(CRI)	(°)	(°C)
ESL-A150-H	85-265	150	930*340*95	50,000	6000	16500	70	120	-20~45

Light efficiency (lm/W), Power (W), Color Rendering Index (CRI), Can be customized according to customer needs.

Our Standard Power factor (PF) > 0.9 and Total harmonic index THD < 15%, According to customer requirements can produce a lower THD < 10%.

This type of certification is issued by a government-approved laboratory for Safety certification, Fire testing, Restriction of Hazardous Substances (RoHS), Photobiological safety of lamps and lamp systems. (an Exemption Group) and other test certifications to ensure product quality

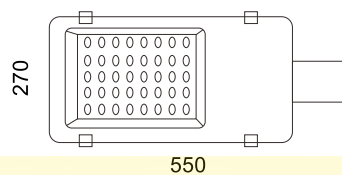
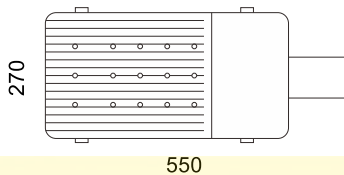
光效 (lm/W)、功率 (W)、顯色指數 (CRI), 可根據客戶需求定制。

此型號標準之功率因素 (PF) > 0.9, 總諧波指數 THD < 15%, 可按客戶需要生產低總諧波指數 < 10%。

此型號認證由可實驗室發出之安全認證消防測試, 環保物料 (RoHS), 光生物安全為 Exemption Group 及其它測試, 保證客戶使用更安心滿意。

LED Outdoor Golden Bean Street Lamp

Series Type: ESLOA05



Unit: mm

Features 產品特點

- ★ Humanized timing control (3 hours 100% Watt, 2 hours 50% Watt, 3 hours 20% Watt, rainy days 2-3 days, this mode can be customized according to customers)
- ★ Maximum wattage 18v80w (high efficiency imported single crystal);
- ★ Ternary lithium battery (11.1v / 48ah)
- ★ Installation height: 6m; Pole distance: 25-30m
- ★ It is suitable for road lighting in streets, squares, parks, schools, farms, villas, gardens and other places

- ★ 人性化的定時控制(3小時100%瓦特,2小時50%瓦特,3小時20%瓦特,雨天2-3天,此模式可根據客戶定制)
- ★ 最大瓦數18V80W(高效進口單晶);三元鋰電池(11.1V/48AH)
- ★ 安裝高度:6m;桿距:25-30M
- ★ 適用於街道,廣場,公園,學校,農場,別墅,花園等場所的道路照明

Specification 產品規格

Model 型號	Voltage 電壓	Wattage 功率	Size 尺寸	Lamp Life 光度壽命	Colour Temp 色溫	Lumen Output 輸出流明	Color Rendering 顯色度	Beam Angle 光速角度	Operating Temperature 工作溫度
	(V)	(W)	(mm)	(Hrs)	(K)	(Lm/W)	(CRI)	(°)	(°C)
ESL-A30-F	85-305	50	550*270*70	50,000	6000	7000	70	120	-20~45

Light efficiency (lm/W), Power (W), Color Rendering Index (CRI), Can be customized according to customer needs.

Our Standard Power factor (PF) > 0.9 and Total harmonic index THD < 15%, According to customer requirements can produce a lower THD < 10%.

This type of certification is issued by a government-approved laboratory for Safety certification, Fire testing, Restriction of Hazardous Substances (RoHS), Photobiological safety of lamps and lamp systems. (an Exemption Group) and other test certifications to ensure product quality

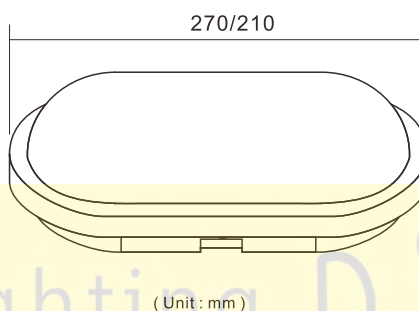
光效 (lm/W)、功率 (W)、顯色指數 (CRI), 可根據客戶需求定制。

此型號標準之功率因素 (PF) > 0.9, 總諧波指數 THD < 15%, 可按客戶需要生產低總諧波指數 < 10%。

此型號認證由可實驗室發出之安全認證消防測試, 環保物料 (RoHS), 光生物安全為 Exemption Group 及其它測試, 保證客戶使用更安心滿意。

Oval Surface Mounted Waterproof Lamp

Series Type: ECBWL1C



Features 產品特點

- ★ Rainproof and insect proof
- ★ Integrated design
- ★ IP65 waterproof function

- ★ 防雨防蟲
- ★ 一體化設計
- ★ IP65防水功能

Specification 產品規格

Model 型號	Voltage 電壓	Wattage 功率	Size 尺寸	Lamp Life 光度壽命	Colour Temp 色溫	Lumen Output 輸出流明	Color Rendering 顯色度	Beam Angle 發光角度	Operating Temperature 工作溫度
	(V)	(W)	(mm)	(Hrs)	(K)	(Lm/W)	(CRI)	(°)	(°C)
EWL-1022-E	85-265	22	270*140*60	30,000	6000	80	80	120	-20~45
EWL-0815-E	85-265	15	210*100*60	30,000	6000	80	80	100	-20~45

Light efficiency (lm/W), Power (W), Color Rendering Index (CRI), Can be customized according to customer needs.

Our Standard Power factor (PF) > 0.9 and Total harmonic index THD < 15%, According to customer requirements can produce a lower THD < 10%.

This type of certification is issued by a government-approved laboratory for Safety certification, Fire testing, Restriction of Hazardous Substances (RoHS), Photobiological safety of lamps and lamp systems. (an Exemption Group) and other test certifications to ensure product quality

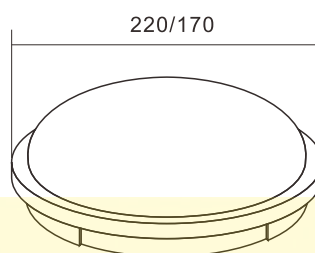
光效 (lm/W)、功率 (W)、顯色指數 (CRI)，可根據客戶需求定制。

此型號標準之功率因素 (PF) > 0.9，總諧波指數 THD < 15%，可按客戶需要生產低總諧波指數 < 10%。

此型號認證由可實驗室發出之安全認證消防測試，環保物料 (RoHS)，光生物安全為 Exemption Group 及其它測試，保證客戶使用更安心滿意。

Round Surface Mounted Waterproof Lamp

Series Type: ECBWL80



Features 產品特點

- ★ Rainproof and insect proof
- ★ Integrated design
- ★ IP65 waterproof function

- ★ 防雨防蟲
- ★ 一體化設計
- ★ IP65防水功能

Specification 產品規格

Model 型號	Voltage 電壓	Wattage 功率	Size 尺寸	Lamp Life 光度壽命	Colour Temp 色溫	Lumen Output 輸出流明	Color Rendering 顯色度	Beam Angle 發光角度	Operating Temperature 工作溫度
	(V)	(W)	(mm)	(Hrs)	(K)	(Lm/W)	(CRI)	(°)	(°C)
EWL-0815-C	85-265	15	170*60	30,000	6000	80	80	120	-20~45
EWL-0822-C	85-265	22	220*60	30,000	6000	80	80	120	-20~45

Light efficiency (lm/W), Power (W), Color Rendering Index (CRI), Can be customized according to customer needs.

Our Standard Power factor (PF) > 0.9 and Total harmonic index THD < 15%, According to customer requirements can produce a lower THD < 10%.

This type of certification is issued by a government-approved laboratory for Safety certification, Fire testing, Restriction of Hazardous Substances (RoHS), Photobiological safety of lamps and lamp systems. (an Exemption Group) and other test certifications to ensure product quality

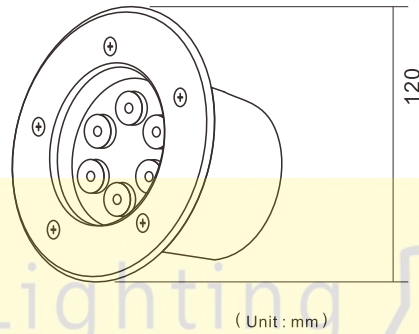
光效 (lm/W)、功率 (W)、顯色指數 (CRI)，可根據客戶需求定制。

此型號標準之功率因素 (PF) > 0.9，總諧波指數 THD < 15%，可按客戶需要生產低總諧波指數 < 10%。

此型號認證由可實驗室發出之安全認證消防測試，環保物料 (RoHS)，光生物安全為 Exemption Group 及其它測試，保證客戶使用更安心滿意。

LED Outdoor Embedded Buried Lamp

Series Type: ECBE045



Features 產品特點

- ★ The aluminum lamp body is integrally formed, with strong rigidity, fast heat dissipation, and corrosion resistance.
- ★ 304 stainless steel cover, wear-resistant, corrosion-resistant, and strong rigidity.
- ★ Transparent tempered glass lampshade, non yellowing, strong light transmission, wear resistance and anti-aging.
- ★ High brightness LED beads, high light efficiency, low heat generation, long lifespan, and low energy consumption.
- ★ IP65 waterproof, waterproof glue filling process+glass lampshade.
- ★ 鋁材燈體一體成型，剛性強、散熱快、耐腐蝕。
- ★ 304不銹鋼面蓋，耐磨損、抗腐蝕、剛性強。
- ★ 透明鋼化玻璃燈罩，不發黃、透光強、耐磨損、抗老化。
- ★ 高亮度LED燈珠，光效高、發熱少、壽命長、能耗低。
- ★ IP65防水，防水灌膠工藝+玻璃燈罩。

Specification 產品規格

Model 型號	Voltage 電壓	Wattage 功率	Size 尺寸	Lamp Life 光度壽命	Colour Temp 色溫	Lumen Output 輸出流明	Color Rendering 顯色度	Beam Angle 發光角度	Operating Temperature 工作溫度
	(V)	(W)	(mm)	(Hrs)	(K)	(Lm/W)	(CRI)	(°)	(°C)
EGB-0506	85-265	6	120*90	5000	3000	80	80	90	-20~45

Light efficiency (lm/W), Power (W), Color Rendering Index (CRI), Can be customized according to customer needs.

Our Standard Power factor (PF) > 0.9 and Total harmonic index THD < 15%, According to customer requirements can produce a lower THD < 10%.

This type of certification is issued by a government-approved laboratory for Safety certification, Fire testing, Restriction of Hazardous Substances (RoHS), Photobiological safety of lamps and lamp systems. (an Exemption Group) and other test certifications to ensure product quality

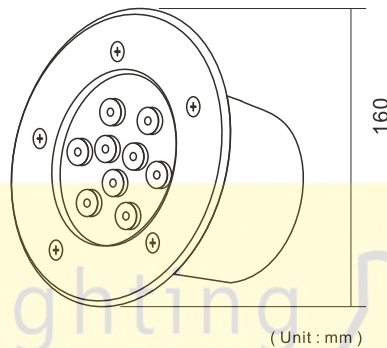
光效 (lm/W)、功率 (W)、顯色指數 (CRI)，可根據客戶需求定制。

此型號標準之功率因素 (PF) > 0.9，總諧波指數 THD < 15%，可按客戶需要生產低總諧波指數 < 10%。

此型號認證由可實驗室發出之安全認證消防測試，環保物料 (RoHS)，光生物安全為 Exemption Group 及其它測試，保證客戶使用更安心滿意。

LED Outdoor Embedded Buried Lamp

Series Type: ECBE060



Features 產品特點

- ★ The aluminum lamp body is integrally formed, with strong rigidity, fast heat dissipation, and corrosion resistance.
- ★ 304 stainless steel cover, wear-resistant, corrosion-resistant, and strong rigidity.
- ★ Transparent tempered glass lampshade, non yellowing, strong light transmission, wear resistance and anti-aging.
- ★ High brightness LED beads, high light efficiency, low heat generation, long lifespan, and low energy consumption.
- ★ IP65 waterproof, waterproof glue filling process+glass lampshade.
- ★ 鋁材燈體一體成型，剛性強、散熱快、耐腐蝕。
- ★ 304不銹鋼面蓋，耐磨損、抗腐蝕、剛性強。
- ★ 透明鋼化玻璃燈罩，不發黃、透光強、耐磨損、抗老化。
- ★ 高亮度LED燈珠，光效高、發熱少、壽命長、能耗低。
- ★ IP65防水，防水灌膠工藝+玻璃燈罩。

Specification 產品規格

Model 型號	Voltage 電壓	Wattage 功率	Size 尺寸	Lamp Life 光度壽命	Colour Temp 色溫	Lumen Output 輸出流明	Color Rendering 顯色度	Beam Angle 發光角度	Operating Temperature 工作溫度
	(V)	(W)	(mm)	(Hrs)	(K)	(Lm/W)	(CRI)	(°)	(°C)
EGB-0609	85-265	9	160*90	5000	3000	80	80	90	-20~45

Light efficiency (lm/W), Power (W), Color Rendering Index (CRI), Can be customized according to customer needs.

Our Standard Power factor (PF) > 0.9 and Total harmonic index THD < 15%, According to customer requirements can produce a lower THD < 10%.

This type of certification is issued by a government-approved laboratory for Safety certification, Fire testing, Restriction of Hazardous Substances (RoHS), Photobiological safety of lamps and lamp systems. (an Exemption Group) and other test certifications to ensure product quality

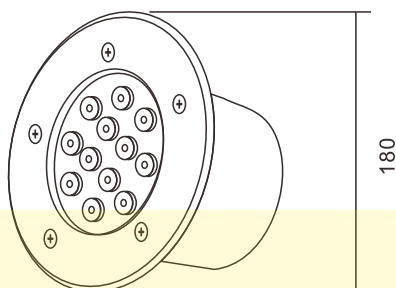
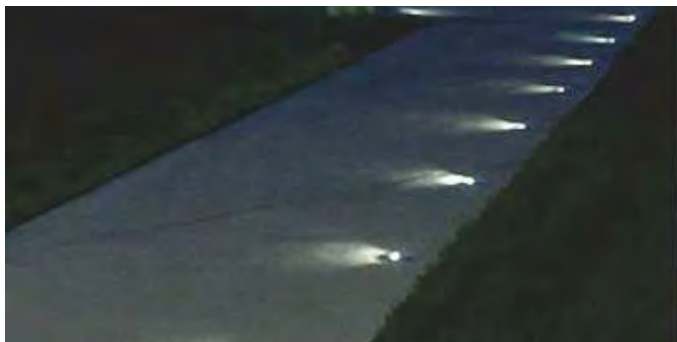
光效 (lm/W)、功率 (W)、顯色指數 (CRI)，可根據客戶需求定制。

此型號標準之功率因素 (PF) > 0.9，總諧波指數 THD < 15%，可按客戶需要生產低總諧波指數 < 10%。

此型號認證由可實驗室發出之安全認證消防測試，環保物料 (RoHS)，光生物安全為 Exemption Group 及其它測試，保證客戶使用更安心滿意。

LED Outdoor Embedded Buried Lamp

Series Type: ECBE070



(Unit: mm)

Features 產品特點

- ★ The aluminum lamp body is integrally formed, with strong rigidity, fast heat dissipation, and corrosion resistance.
- ★ 304 stainless steel cover, wear-resistant, corrosion-resistant, and strong rigidity.
- ★ Transparent tempered glass lampshade, non yellowing, strong light transmission, wear resistance and anti-aging.
- ★ High brightness LED beads, high light efficiency, low heat generation, long lifespan, and low energy consumption.
- ★ IP65 waterproof, waterproof glue filling process+glass lampshade.
- ★ 鋁材燈體一體成型，剛性強、散熱快、耐腐蝕。
- ★ 304不銹鋼面蓋，耐磨損、抗腐蝕、剛性強。
- ★ 透明鋼化玻璃燈罩，不發黃、透光強、耐磨損、抗老化。
- ★ 高亮度LED燈珠，光效高、發熱少、壽命長、能耗低。
- ★ IP65防水，防水灌膠工藝+玻璃燈罩。

Specification 產品規格

Model 型號	Voltage 電壓	Wattage 功率	Size 尺寸	Lamp Life 光度壽命	Colour Temp 色溫	Lumen Output 輸出流明	Color Rendering 顯色度	Beam Angle 發光角度	Operating Temperature 工作溫度
	(V)	(W)	(mm)	(Hrs)	(K)	(Lm/W)	(CRI)	(°)	(°C)
EGB-0712	85-265	12	180*90	5000	3000	80	80	90	-20~45

Light efficiency (lm/W), Power (W), Color Rendering Index (CRI), Can be customized according to customer needs.

Our Standard Power factor (PF) > 0.9 and Total harmonic index THD < 15%, According to customer requirements can produce a lower THD < 10%.

This type of certification is issued by a government-approved laboratory for Safety certification, Fire testing, Restriction of Hazardous Substances (RoHS), Photobiological safety of lamps and lamp systems. (an Exemption Group) and other test certifications to ensure product quality

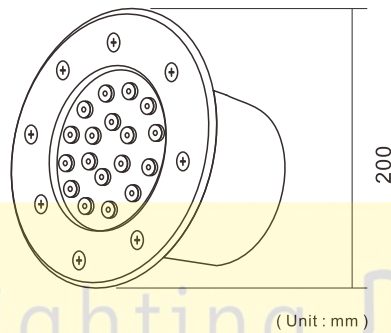
光效 (lm/W)、功率 (W)、顯色指數 (CRI)，可根據客戶需求定制。

此型號標準之功率因素 (PF) > 0.9，總諧波指數 THD < 15%，可按客戶需要生產低總諧波指數 < 10%。

此型號認證由可實驗室發出之安全認證消防測試，環保物料 (RoHS)，光生物安全為 Exemption Group 及其它測試，保證客戶使用更安心滿意。

LED Outdoor Embedded Buried Lamp

Series Type: ECBE080



Features 產品特點

- ★ The aluminum lamp body is integrally formed, with strong rigidity, fast heat dissipation, and corrosion resistance.
- ★ 304 stainless steel cover, wear-resistant, corrosion-resistant, and strong rigidity.
- ★ Transparent tempered glass lampshade, non yellowing, strong light transmission, wear resistance and anti-aging.
- ★ High brightness LED beads, high light efficiency, low heat generation, long lifespan, and low energy consumption.
- ★ IP65 waterproof, waterproof glue filling process+glass lampshade.
- ★ 鋁材燈體一體成型，剛性強、散熱快、耐腐蝕。
- ★ 304不銹鋼面蓋，耐磨損、抗腐蝕、剛性強。
- ★ 透明鋼化玻璃燈罩，不發黃、透光強、耐磨損、抗老化。
- ★ 高亮度LED燈珠，光效高、發熱少、壽命長、能耗低。
- ★ IP65防水，防水灌膠工藝+玻璃燈罩。

Specification 產品規格

Model 型號	Voltage 電壓	Wattage 功率	Size 尺寸	Lamp Life 光度壽命	Colour Temp 色溫	Lumen Output 輸出流明	Color Rendering 顯色度	Beam Angle 發光角度	Operating Temperature 工作溫度
	(V)	(W)	(mm)	(Hrs)	(K)	(Lm/W)	(CRI)	(°)	(°C)
EGB-0818	85-265	18	200*90	5000	3000	80	80	90	-20~45

Light efficiency (lm/W), Power (W), Color Rendering Index (CRI), Can be customized according to customer needs.

Our Standard Power factor (PF) > 0.9 and Total harmonic index THD < 15%, According to customer requirements can produce a lower THD < 10%.

This type of certification is issued by a government-approved laboratory for Safety certification, Fire testing, Restriction of Hazardous Substances (RoHS), Photobiological safety of lamps and lamp systems. (an Exemption Group) and other test certifications to ensure product quality

光效 (lm/W)、功率 (W)、顯色指數 (CRI)，可根據客戶需求定制。

此型號標準之功率因素 (PF) > 0.9，總諧波指數 THD < 15%，可按客戶需要生產低總諧波指數 < 10%。

此型號認證由可實驗室發出之安全認證消防測試，環保物料 (RoHS)，光生物安全為 Exemption Group 及其它測試，保證客戶使用更安心滿意。

東 攏 LED 照 明 公 司
EASTLIKE LED Co., Ltd

Office Address: Room B3, 18/F Bonsun Industrial Building,
364-366 Sha Tsui Road, Tsuen Wan, HongKong

Phone: 852-3107 7500

Fax: 852-3544 0462

Whatsapp: 852-5977 2627

Email: info@eastlike.com