



EASTLIKE LED Co., Ltd

CATALOG

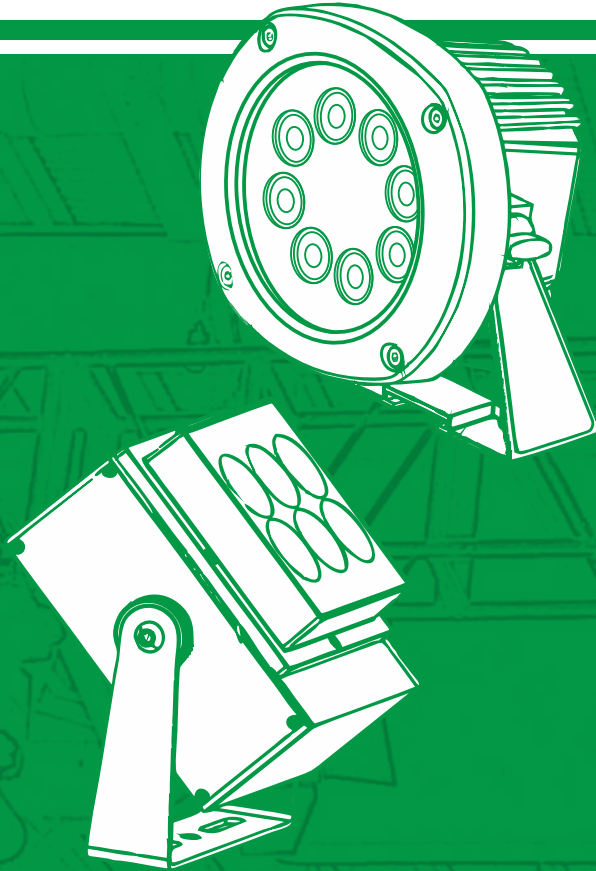
LED Lighting Series

Green

Low Carbon

Energy Saving

9. Flood Light



www.eastlike.com



公司簡介 Company Profile



製造和營銷綠色低碳節能照明產品
Manufacturing And Marketing Green Low Carbon
And Energy Saving Lighting Products



EASTLIKE LED COMPANY 東 櫛 照 明 公 司

EASTLIKE LED Co., Ltd • emerges as a lighting designer, manufacturer and supplier established in Hong Kong and Mainland China .

The company devotes herself in the development, manufacturing and marketing of green, low-carbon and energy-saving lighting products. we are proud to provide a wide range of LED products

東櫛LED照明公司•您的照明設計師。

我們作為製造商和供應服務於香港和中國大陸。公司致力於開發，製造和行銷綠色，低碳和節能照明產品。

我們竭誠為您服務，為您提供種類繁多的LED產品。

目录

Content



P.01

LED戶外防水投光燈



P.02

LED戶外防水投光燈



P.03

LED戶外防水投光燈



P.04

LED戶外黑金剛款投光燈



P.05

LED戶外黑金剛款投光燈



P.06

LED戶外黑金剛款投光燈

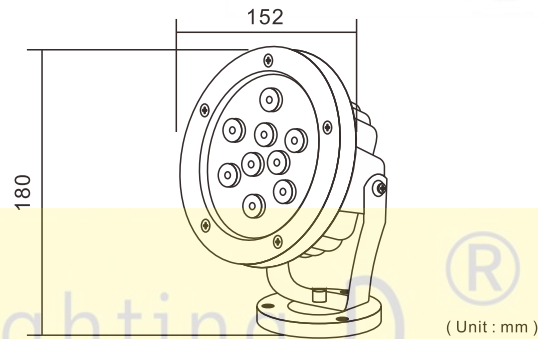


P.07

LED戶外黑金剛款投光燈

LED Outdoor Waterproof Lamp

Series Type: EFLOC70



Features 產品特點

- ★ The aluminum lamp body is integrally formed, with strong rigidity, fast heat dissipation, and corrosion resistance.
- ★ Transparent tempered glass lampshade, non yellowing, strong light transmission, wear resistance and anti-aging.
- ★ High brightness LED beads, high light efficiency, low heat generation, long lifespan, and low energy consumption.
- ★ Waterproof gluing process+glass lampshade.
- ★ 鋁材燈體一體成型，剛性強、散熱快、耐腐蝕。
- ★ 透明鋼化玻璃燈罩，不發黃、透光強、耐磨損、抗老化。
- ★ 高亮度LED燈珠，光效高、發熱少、壽命長、能耗低。
- ★ 防水灌膠工藝+玻璃燈罩。

Specification 產品規格

Model 型號	Voltage 電壓	Wattage 功率	Size 尺寸	Lamp Life 光度壽命	Colour Temp 色溫	Lumen Output 輸出流明	Color Rendering 顯色度	Beam Angle 光速角度	Operating Temperature 工作溫度
	(V)	(W)	(mm)	(Hrs)	(K)	(Lm/W)	(CRI)	(°)	(°C)
EFL-0709	85-265	9	180*152	30000	3000	100	80	120	-20~45
EFL-0712	85-265	12	180*152	30000	3000	100	80	120	-20~45

Light efficiency (lm/W), Power (W), Color Rendering Index (CRI), Can be customized according to customer needs.

Our Standard Power factor (PF) > 0.9 and Total harmonic index THD < 15%, According to customer requirements can produce a lower THD < 10%.

This type of certification is issued by a government-approved laboratory for Safety certification, Fire testing, Restriction of Hazardous Substances (RoHS), Photobiological safety of lamps and lamp systems. (an Exemption Group) and other test certifications to ensure product quality

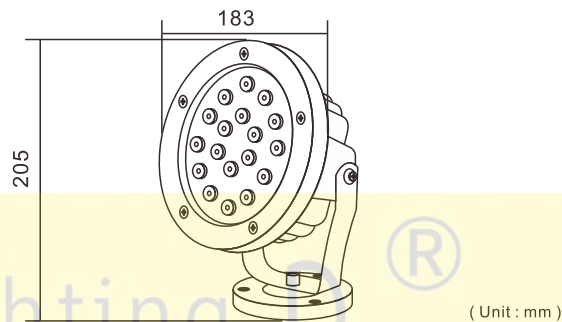
光效 (lm/W)、功率 (W)、顯色指數 (CRI)，可根據客戶需求定制。

此型號標準之功率因素 (PF) > 0.9，總諧波指數 THD < 15%，可按客戶需要生產低總諧波指數 < 10%。

此型號認證由可實驗室發出之安全認證消防測試，環保物料 (RoHS)，光生物安全為 Exemption Group 及其它測試，保證客戶使用更安心滿意。

LED Outdoor Waterproof Lamp

Series Type: EFLOC80



Features 產品特點

- ★ The aluminum lamp body is integrally formed, with strong rigidity, fast heat dissipation, and corrosion resistance.
- ★ Transparent tempered glass lampshade, non yellowing, strong light transmission, wear resistance and anti-aging.
- ★ High brightness LED beads, high light efficiency, low heat generation, long lifespan, and low energy consumption.
- ★ Waterproof gluing process+glass lampshade.
- ★ 鋁材燈體一體成型，剛性強、散熱快、耐腐蝕。
- ★ 透明鋼化玻璃燈罩，不發黃、透光強、耐磨損、抗老化。
- ★ 高亮度LED燈珠，光效高、發熱少、壽命長、能耗低。
- ★ 防水灌膠工藝+玻璃燈罩。

Specification 產品規格

Model 型號	Voltage 電壓	Wattage 功率	Size 尺寸	Lamp Life 光度壽命	Colour Temp 色溫	Lumen Output 輸出流明	Color Rendering 顯色度	Beam Angle 光速角度	Operating Temperature 工作溫度
	(V)	(W)	(mm)	(Hrs)	(K)	(Lm/W)	(CRI)	(°)	(°C)
EFL-0818	85-265	18	205*183	30000	3000	100	80	120	-20~45

Light efficiency (lm/W), Power (W), Color Rendering Index (CRI), Can be customized according to customer needs.

Our Standard Power factor (PF) > 0.9 and Total harmonic index THD < 15%, According to customer requirements can produce a lower THD < 10%.

This type of certification is issued by a government-approved laboratory for Safety certification, Fire testing, Restriction of Hazardous Substances (RoHS), Photobiological safety of lamps and lamp systems. (an Exemption Group) and other test certifications to ensure product quality

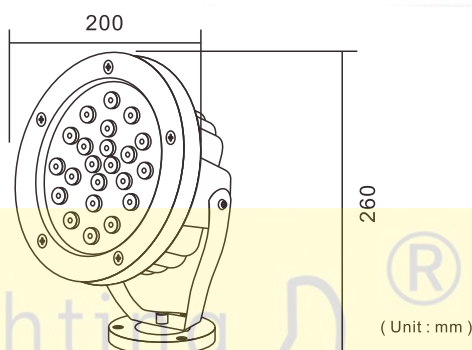
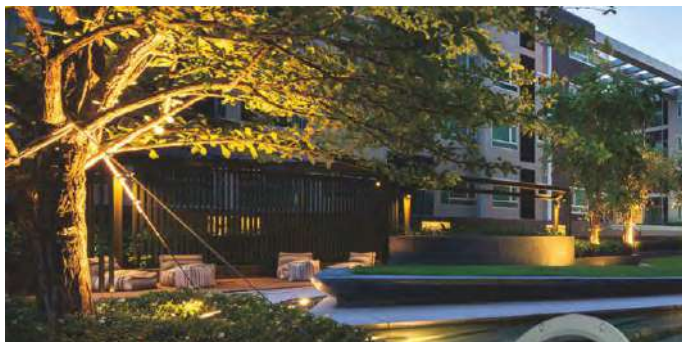
光效 (lm/W)、功率 (W)、顯色指數 (CRI)，可根據客戶需求定制。

此型號標準之功率因素 (PF) > 0.9，總諧波指數 THD < 15%，可按客戶需要生產低總諧波指數 < 10%。

此型號認證由可實驗室發出之安全認證消防測試，環保物料 (RoHS)，光生物安全為 Exemption Group 及其它測試，保證客戶使用更安心滿意。

LED Outdoor Waterproof Lamp

Series Type: EFLOC95



Features 產品特點

- ★ The aluminum lamp body is integrally formed, with strong rigidity, fast heat dissipation, and corrosion resistance.
- ★ Transparent tempered glass lampshade, non yellowing, strong light transmission, wear resistance and anti-aging.
- ★ High brightness LED beads, high light efficiency, low heat generation, long lifespan, and low energy consumption.
- ★ Waterproof gluing process+glass lampshade.
- ★ 鋁材燈體一體成型，剛性強、散熱快、耐腐蝕。
- ★ 透明鋼化玻璃燈罩，不發黃、透光強、耐磨損、抗老化。
- ★ 高亮度LED燈珠，光效高、發熱少、壽命長、能耗低。
- ★ 防水灌膠工藝+玻璃燈罩。

Specification 產品規格

Model 型號	Voltage 電壓	Wattage 功率	Size 尺寸	Lamp Life 光度壽命	Colour Temp 色溫	Lumen Output 輸出流明	Color Rendering 顯色度	Beam Angle 光速角度	Operating Temperature 工作溫度
	(V)	(W)	(mm)	(Hrs)	(K)	(Lm/W)	(CRI)	(°)	(°C)
EFL-1024	85-265	24	260*200	30000	3000	100	80	120	-20~45

Light efficiency (lm/W), Power (W), Color Rendering Index (CRI), Can be customized according to customer needs.

Our Standard Power factor (PF) > 0.9 and Total harmonic index THD < 15%, According to customer requirements can produce a lower THD < 10%.

This type of certification is issued by a government-approved laboratory for Safety certification, Fire testing, Restriction of Hazardous Substances (RoHS), Photobiological safety of lamps and lamp systems. (an Exemption Group) and other test certifications to ensure product quality

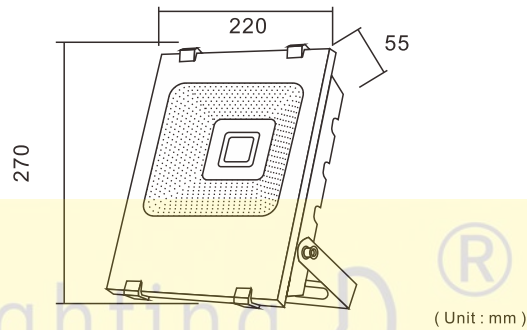
光效 (lm/W)、功率 (W)、顯色指數 (CRI)，可根據客戶需求定制。

此型號標準之功率因素 (PF) > 0.9，總諧波指數 THD < 15%，可按客戶需要生產低總諧波指數 < 10%。

此型號認證由可實驗室發出之安全認證消防測試，環保物料 (RoHS)，光生物安全為 Exemption Group 及其它測試，保證客戶使用更安心滿意。

LED Outdoor Black King Kong Projection Lamp

Series Type: EFLOS22



Features 產品特點

- ★ The lamp body shell is made of integrally molded aluminum, with strong rigidity, fast heat dissipation, corrosion resistance and oxidation resistance.
- ★ The lampshade is made of tempered glass, which is non yellowing, strong rigidity and better light transmittance.
- ★ The cob light source with 5054 large luminous surface and high brightness LED is adopted, which has larger luminous area, high luminous efficiency, less heating, long service life and low energy consumption.

- ★ 灯体外壳采用一体成型出模的铝材，刚性强、散热快、耐腐蚀、抗氧化。
- ★ 灯罩使用钢化玻璃材质，不发黄、刚性强、透光性更好。
- ★ 采用5054大发光面高亮度LED的COB光源，发光面积更大、光效高、发热少、寿命长、能耗低。

Specification 產品規格

Model 型號	Voltage 電壓	Wattage 功率	Size 尺寸	Lamp Life 光度壽命	Colour Temp 色溫	Lumen Output 輸出流明	Color Rendering 顯色度	Beam Angle 光速角度	Operating Temperature 工作溫度
	(V)	(W)	(mm)	(Hrs)	(K)	(Lm/W)	(CRI)	(°)	(°C)
EFL-A50-C	85-265	50	220*270*55	30000	3000	100	80	120	-20~45

Light efficiency (lm/W), Power (W), Color Rendering Index (CRI), Can be customized according to customer needs.

Our Standard Power factor (PF) > 0.9 and Total harmonic index THD < 15%, According to customer requirements can produce a lower THD < 10%.

This type of certification is issued by a government-approved laboratory for Safety certification, Fire testing, Restriction of Hazardous Substances (RoHS), Photobiological safety of lamps and lamp systems. (an Exemption Group) and other test certifications to ensure product quality

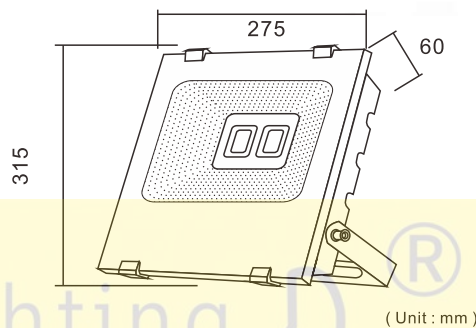
光效 (lm/W)、功率 (W)、顯色指數 (CRI)，可根據客戶需求定制。

此型號標準之功率因素 (PF) > 0.9，總諧波指數 THD < 15%，可按客戶需要生產低總諧波指數 < 10%。

此型號認證由可實驗室發出之安全認證消防測試，環保物料 (RoHS)，光生物安全為 Exemption Group 及其它測試，保證客戶使用更安心滿意。

LED Outdoor Black King Kong Projection Lamp

Series Type: EFLOS28



Features 產品特點

- ★ The lamp body shell is made of integrally molded aluminum, with strong rigidity, fast heat dissipation, corrosion resistance and oxidation resistance.
- ★ The lampshade is made of tempered glass, which is non yellowing, strong rigidity and better light transmittance.
- ★ The cob light source with 5054 large luminous surface and high brightness LED is adopted, which has larger luminous area, high luminous efficiency, less heating, long service life and low energy consumption.

- ★ 灯体外壳采用一体成型出模的铝材，刚性强、散热快、耐腐蚀、抗氧化。
- ★ 灯罩使用钢化玻璃材质，不发黄、刚性强、透光性更好。
- ★ 采用5054大发光面高亮度LED的COB光源，发光面积更大、光效高、发热少、寿命长、能耗低。

Specification 產品規格

Model 型號	Voltage 電壓	Wattage 功率	Size 尺寸	Lamp Life 光度壽命	Colour Temp 色溫	Lumen Output 輸出流明	Color Rendering 顯色度	Beam Angle 光速角度	Operating Temperature 工作溫度
	(V)	(W)	(mm)	(Hrs)	(K)	(Lm/W)	(CRI)	(°)	(°C)
EFL-A100-C	85-265	100	275*315*60	30000	3000	100	80	120	-20~45

Light efficiency (lm/W), Power (W), Color Rendering Index (CRI), Can be customized according to customer needs.

Our Standard Power factor (PF) > 0.9 and Total harmonic index THD < 15%, According to customer requirements can produce a lower THD < 10%.

This type of certification is issued by a government-approved laboratory for Safety certification, Fire testing, Restriction of Hazardous Substances (RoHS), Photobiological safety of lamps and lamp systems. (an Exemption Group) and other test certifications to ensure product quality

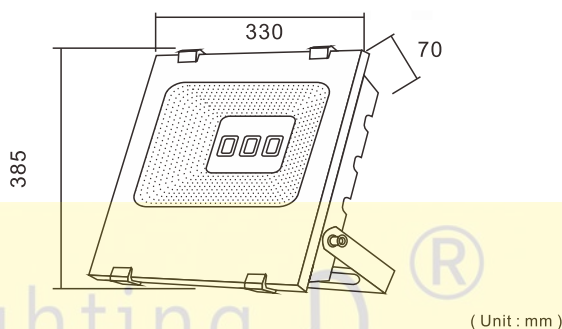
光效 (lm/W)、功率 (W)、顯色指數 (CRI)，可根據客戶需求定制。

此型號標準之功率因素 (PF) > 0.9，總諧波指數 THD < 15%，可按客戶需要生產低總諧波指數 < 10%。

此型號認證由可實驗室發出之安全認證消防測試，環保物料 (RoHS)，光生物安全為 Exemption Group 及其它測試，保證客戶使用更安心滿意。

LED Outdoor Black King Kong Projection Lamp

Series Type: EFLOS33



Features 產品特點

- ★ The lamp body shell is made of integrally molded aluminum, with strong rigidity, fast heat dissipation, corrosion resistance and oxidation resistance.
- ★ The lampshade is made of tempered glass, which is non yellowing, strong rigidity and better light transmittance.
- ★ The cob light source with 5054 large luminous surface and high brightness LED is adopted, which has larger luminous area, high luminous efficiency, less heating, long service life and low energy consumption.
- ★ 灯体外壳采用一体成型出模的铝材，刚性强、散热快、耐腐蚀、抗氧化。
- ★ 灯罩使用钢化玻璃材质，不发黄、刚性强、透光性更好。
- ★ 采用5054大发光面高亮度LED的COB光源，发光面积更大、光效高、发热少、寿命长、能耗低。

Specification 產品規格

Model 型號	Voltage 電壓	Wattage 功率	Size 尺寸	Lamp Life 光度壽命	Colour Temp 色溫	Lumen Output 輸出流明	Color Rendering 顯色度	Beam Angle 光速角度	Operating Temperature 工作溫度
	(V)	(W)	(mm)	(Hrs)	(K)	(Lm/W)	(CRI)	(°)	(°C)
EFL-A150-C	85-265	150	330*385*70	30000	3000	100	80	120	-20~45

Light efficiency (lm/W), Power (W), Color Rendering Index (CRI), Can be customized according to customer needs.

Our Standard Power factor (PF) > 0.9 and Total harmonic index THD < 15%, According to customer requirements can produce a lower THD < 10%.

This type of certification is issued by a government-approved laboratory for Safety certification, Fire testing, Restriction of Hazardous Substances (RoHS), Photobiological safety of lamps and lamp systems. (an Exemption Group) and other test certifications to ensure product quality

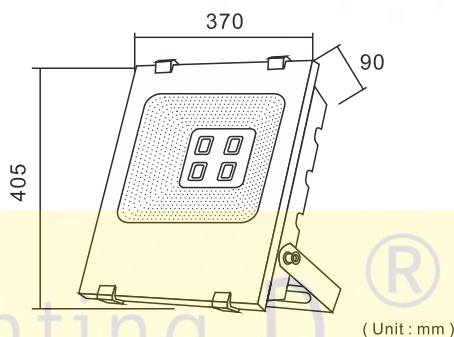
光效 (lm/W)、功率 (W)、顯色指數 (CRI)，可根據客戶需求定制。

此型號標準之功率因素 (PF) > 0.9，總諧波指數 THD < 15%，可按客戶需要生產低總諧波指數 < 10%。

此型號認證由可實驗室發出之安全認證消防測試，環保物料 (RoHS)，光生物安全為 Exemption Group 及其它測試，保證客戶使用更安心滿意。

LED Outdoor Black King Kong Projection Lamp

Series Type: EFLOS37



Features 產品特點

- ★ The lamp body shell is made of integrally molded aluminum, with strong rigidity, fast heat dissipation, corrosion resistance and oxidation resistance.
- ★ The lampshade is made of tempered glass, which is non yellowing, strong rigidity and better light transmittance.
- ★ The cob light source with 5054 large luminous surface and high brightness LED is adopted, which has larger luminous area, high luminous efficiency, less heating, long service life and low energy consumption.

- ★ 灯体外壳采用一体成型出模的铝材，刚性强、散热快、耐腐蚀、抗氧化。
- ★ 灯罩使用钢化玻璃材质，不发黄、刚性强、透光性更好。
- ★ 采用5054大发光面高亮度LED的COB光源，发光面积更大、光效高、发热少、寿命长、能耗低。

Specification 產品規格

Model 型號	Voltage 電壓	Wattage 功率	Size 尺寸	Lamp Life 光度壽命	Colour Temp 色溫	Lumen Output 輸出流明	Color Rendering 顯色度	Beam Angle 光速角度	Operating Temperature 工作溫度
	(V)	(W)	(mm)	(Hrs)	(K)	(Lm/W)	(CRI)	(°)	(°C)
EFL-A200-C	85-265	200	370*405*90	30000	3000	100	80	120	-20~45

Light efficiency (lm/W), Power (W), Color Rendering Index (CRI), Can be customized according to customer needs.

Our Standard Power factor (PF) > 0.9 and Total harmonic index THD < 15%, According to customer requirements can produce a lower THD < 10%.

This type of certification is issued by a government-approved laboratory for Safety certification, Fire testing, Restriction of Hazardous Substances (RoHS), Photobiological safety of lamps and lamp systems. (an Exemption Group) and other test certifications to ensure product quality

光效 (lm/W)、功率 (W)、顯色指數 (CRI)，可根據客戶需求定制。

此型號標準之功率因素 (PF) > 0.9，總諧波指數 THD < 15%，可按客戶需要生產低總諧波指數 < 10%。

此型號認證由可實驗室發出之安全認證消防測試，環保物料 (RoHS)，光生物安全為 Exemption Group 及其它測試，保證客戶使用更安心滿意。

東 攏 LED 照 明 公 司
EASTLIKE LED Co., Ltd

Office Address: Room B3, 18/F Bonsun Industrial Building,
364-366 Sha Tsui Road, Tsuen Wan, HongKong

Phone: 852-3107 7500

Fax: 852-3544 0462

Whatsapp: 852-5977 2627

Email: info@eastlike.com